



SD803 SERIES SPECIFICATION

The product has a smooth appearance and fluid line design, generous and beautiful;
 The optical part and driver part are modularised and can be dismantled and replaced individually;
 Special lighting design to meet tunnel lighting requirements;
 The angle of the mounting bracket is adjustable;
 The fixture body is made of aerospace aluminium, which has good thermal conductivity and heat dissipation;
 Allow the use of ambient temperature: -40 ~ +50 °C, low maintenance costs;

Product data

General Information

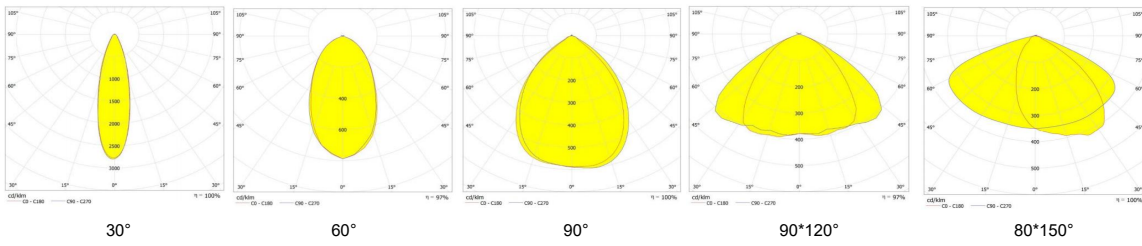
Wattage	40W/70W/100W/150W/200W/250W/300W
Number of module units	1/2/3/4
Driver/power unit/transformer	Driver
Driver included	Yes
Optic type	/
Optical cover/lens type	Lens
Luminaire light beam spread	30°/60°/90°/90°/120°/80°/150° Optical
Sensor socket	/
Cable length	Customizable
Protection class IEC	Safety class I
Certifications	CE/CQC
Lifetime (hour)	50,000h
EU RoHS compliant	Yes
Light source engine type	LED

Product data	40W	70W	100W	150W	200W	250W	300W
Number of mouldle units	1	2	2	2	3	4	4
Input voltage	100-277Vac	100-277Vac	100-277Vac	100-277Va	100-277Vac	100-277Vac	100-277Vac
Input frequency	50/60Hz	50/60Hz	50/60Hz	50/60Hz	50/60Hz	50/60Hz	50/60Hz
Current	0.4A Max	0.7A Max	1A Max	1.5A Max	2A Max	2.5A Max	3A Max
THD	<20%	<20%	<20%	<20%	<20%	<20%	<20%
Power factor	>0.95	>0.95	>0.95	>0.95	>0.95	>0.95	>0.95
Housing material	Aluminum	Aluminum	Aluminum	Aluminum	Aluminum	Aluminum	Aluminum
Optical cover/lens material	Polycarbonate	Polycarbonate	Polycarbonate	Polycarbonate	Polycarbonate	Polycarbonate	Polycarbonate
Optical cover/lens finish	/	/	/	/	/	/	/
Product dimensions (mm)	392*75*156.2mm	392*75*156.2mm	392*150*156.2	392*150*156.2	392*222*156.2mm	392*294*156.2mm	392*294*156.2mm
Product color	Default black	Default black	Default black	Default black	Default black	Default black	Default black
Ingress protection code	IP65	IP65	IP65	IP65	IP65	IP65	IP65
Impact Resistance	IK08	IK08	IK08	IK08	IK08	IK08	IK08
Initial luminous flux	5200lm	9100lm	13000lm	19500lm	26000lm	32500lm	39000lm
Luminous flux tolerance	+/-10%	+/-10%	+/-10%	+/-10%	+/-10%	+/-10%	+/-10%
Initial LED luminaire efficacy	130lm/W	130lm/W	130lm/W	130lm/W	130lm/W	130lm/W	130lm/W
Init.Corr.Color Temperature	3000K/4000K/5000K						
Init.Color Rendering Index	>70						
SCDM	≤5						
Ambient temperature range	-40 to +50℃						
Dimming	0~10V, 1~10V						
Net weight (piece)	1.9KG	1.9KG	2.8KG	2.8KG	3.5KG	4.3KG	4.3KG

Application

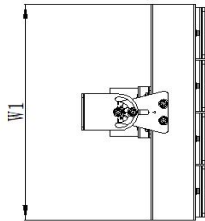
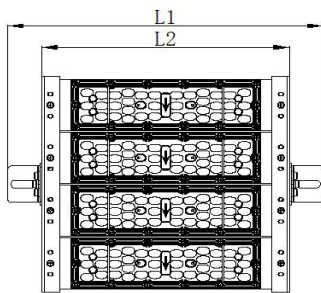
- Tunnel Lighting
 Area Lighting
 Building Lighting

Light Distribution

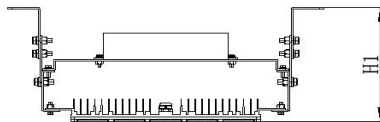


Dimensional drawing

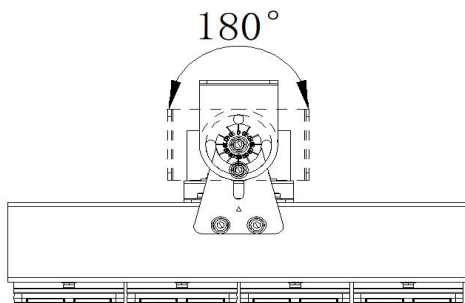
40W/70W/100W/150W/200W/250W/300W



	L1	L2	W1	H1
40W	392mm	308mm	75mm	156.2mm
70W	392mm	308mm	75mm	156.2mm
100W	392mm	308mm	150mm	156.2mm
150W	392mm	308mm	150mm	156.2mm
200W	392mm	308mm	222mm	156.2mm
250W	392mm	308mm	294mm	156.2mm
300W	392mm	308mm	294mm	156.2mm



Adjust The Angle



Effect Picture

